

OceanLink 85mm Master Tachometer

The new OceanLink 85mm Master Tachometer automatically present all the key data –oil pressure and fuel consumption to operating hours - on a generously proportioned dot matrix digital display. Besides a CAN interface with NMEA2000® certified and SAE J1939 data protocol it features two inputs for analogue sensors. The innovative EasyLink data connection make the installation easy and cost effective. Satellite instruments for further measurement values receives updates from the central instrument every 20 ms.



A2C1065660001



A2C1065720001



A2C1065810001



A2C1065670001



A2C1065800001



A2C1065820001

Available Gauges:

Gauge PN	Gauge Type	Colour	Diameter (mm)
A2C1065660001	Tachometer 3000 RPM	Black Bezel	85
A2C1065670001	Tachometer 3000 RPM	White bezel	85
A2C1065720001	Tachometer 5000 RPM	Black Bezel	85
A2C1065800001	Tachometer 5000 RPM	White bezel	85
A2C1065810001	Tachometer 7000 RPM	Black Bezel	85
A2C1065820001	Tachometer 7000 RPM	White bezel	85

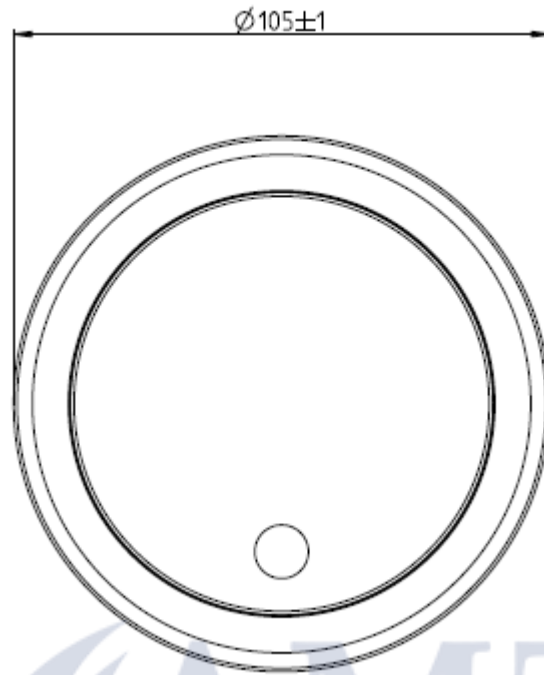
Features

- Protection to IP x7 front and rear
- Operating Temperature -20°C / +70°C
- 1 x CONNECTOR NMEA2000®
- 1 x EasyLink databus
- 1 x J1939 input
- 1 x Frequency Input
- 2 x Analogue resistive Input
- Reverse Polarity Protection

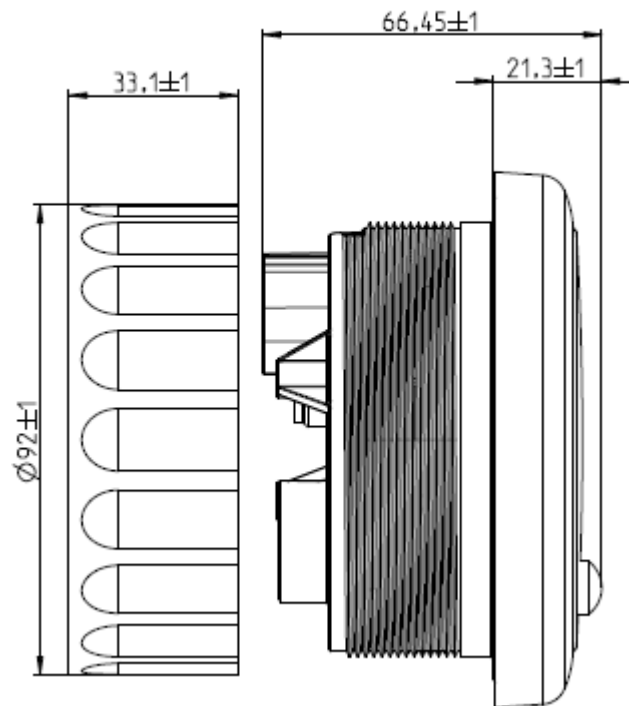
Technical Data	
Housing Material	PC-FR
Bezel Material	PC-FR
Display Type	DOT matrix LCD
Resolution	132x32
Operating temperature	-20°C / +70°C
Storage temperature	-30°C / +85°C
Rated voltage range	9.0 – 32.0 VDC
Current consumption	< 150mA @ 12Volts
Protection Class	IEC60945 exposed equipment IP X7 front and rear (plug in)
EMC	DIN-EN 61000-6-2:2006 IEC 60945:2002/ISO7637-2
Approval	CE, RoHS & NMEA2000

Physical Specification

Front with bezel



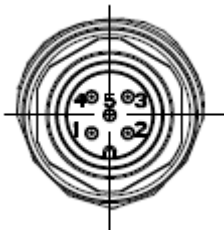
Side View



Rear View - Connector Side

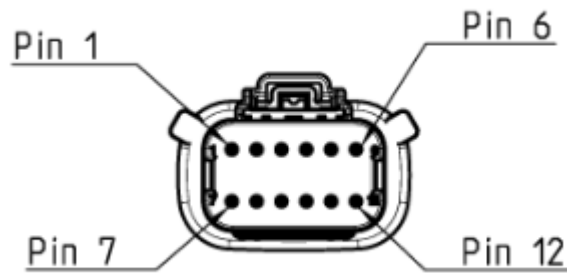


Rear Case Plugs



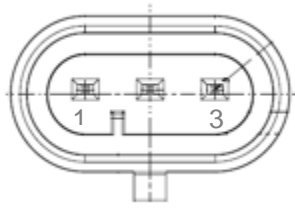
M12 - 5 Pins NMEA2000 Connector

Pin	M12-5Pin
1	Shield
2	NET-S (V+)
3	NET-C (V-)
4	NET-H
5	NET-L



Molex MX150 - 12 Pins Power and Data cable (cable side)

Pin	Molex MX150	Colour Code
1	Term.30 (Battery)	Red
2	Term.31 (GND)	Black
3	Alarm output 500mA (LOW)	White
4	Frequency Input 0-4kHz for engine RPM data.	Green
5	CAN Low (J1939)	Blue
6	CAN High (J1939)	Blue/White
7	Term.15 (Ignition)	Yellow
8	Analogue input 0-400 Ohm (input data selection: Trim, Rudder, Fresh water, Fuel Level, Pressure and Temperature).	Grey
9	Analogue input 0-400 Ohm (input data selection: Trim, Rudder, Fresh water, Fuel Level, Pressure and Temperature).	Brown
10	Term.58 (Illumination)	Orange
11	EasyLink Bus power	Light Blue
12	EasyLink Bus data	Violet



Pin	Amp Superseal - 3 Pin
1	EasyLink - Power
2	EasyLink -Gnd
3	EasyLink - Data

Tyco AMP Super Seal – 3 Pins Plug & Play

Accessories Part Number	Item specifics
A2C1376090001	Union Nut 85mm
A2C1111380001	Round Bezel 85mm,black
A2C1141580001	Round Bezel 85mm,chrome
A2C1352140001	Round Bezel 85mm, white
A2C1433330001	Power Cable + Data cable master 85mm

